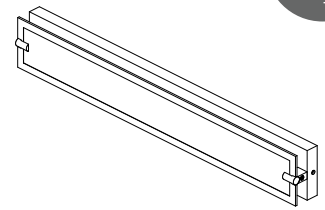




Assembly and Installation Instructions for Model's

20005/6WV



CAUTION - RISK OF FIRE

Installation of this fixture should be done by a licensed electrician or by a person familiar with local electrical codes and the construction and operation of this fixture.

Warning please make sure the electrical breaker is shut off before commencing with this installation

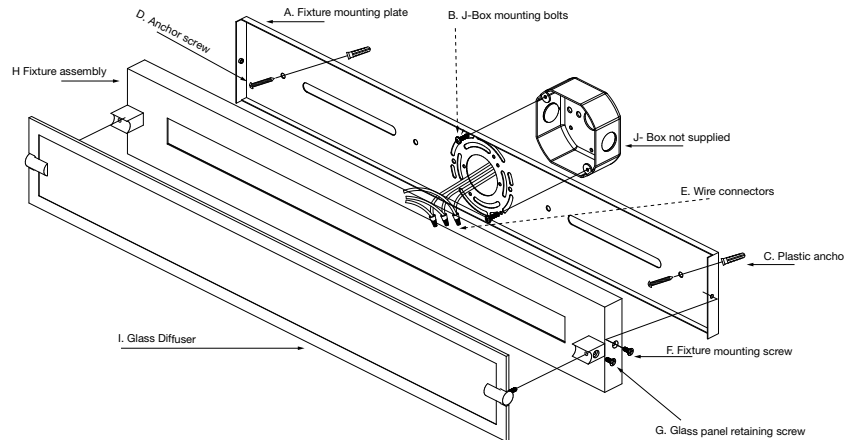
Read and familiarize yourself with these instructions before commencing

This fixture is certified for wall mounting only and is suitable for Damp locations and dimmable with a Triac Dimmer

The fixture uses a 120v A/C LED panel which is supplied with a clear glass cover plate, no driver required

Package Contents

Part	Description	Qty
A	Fixture mounting plate	1
B	J-Box mounting bolts	2
C	Plastic anchors	2
D	Anchor screws	2
E	Wire connectors	3
F	Fixture mounting screws	2
G	Glass panel mounting screws	2
H	Fixture assembly	1
I	Glass panel	1



Installing the fixture *please ensure the electrical breaker is switched off before commencing*

1	<p>Mark the location of the angle which the fixture will be installed by loosely attaching the Fixture mounting plate (A) to the Junction-Box and mark the position of two holes required for the supplied anchors. (C). Remove the Universal mounting plate and drill two holes on these marks and insert the Plastic anchors. Re-attach the Fixture mounting plate with the two supplied mounting bolts (B) to the Junction-Box and insert the supplied Anchor screws (D) into the Plastic anchors and securely tighten.</p>	
2	<p>Connect the Supply wires to the Fixture wires using the supplied Electrical wire connectors (E). White supply wire to the White fixture wire, Black supply wire to Black fixture wire and the ground Bare Copper or Green wire to the Green fixture wire. Once the Electrical wire connectors are securely fastened it is recommended to tape these connectors with electrical tape.</p>	
3	<p>Attach the Fixture assembly (H) to the Fixture mounting plate (A) and with the supplied Fixture mounting screws (F) and secure at each side.</p>	
5	<p>Attach the Glass panel (I) by gently seating it in the glass mounting brackets on each end of the Fixture assembly, and secure with supplied Glass panel mounting screws (G).</p>	
6	<p>Switch on the electrical breaker switch and your new fixture is ready for many years of trouble free use</p>	